

Designed for Clean Rooms

Clean Rooms International's suspension hardware for 2" Heavy Duty T-Grid Systems is designed and manufactured to meet the exacting standards of the clean-room industry.

Hardware is Interchangeable

Gasket and Gel Seal Style suspension hardware is interchangeable and includes a series of intersection connectors and turnbuckles for suspending the T-Grid System from the building structure.

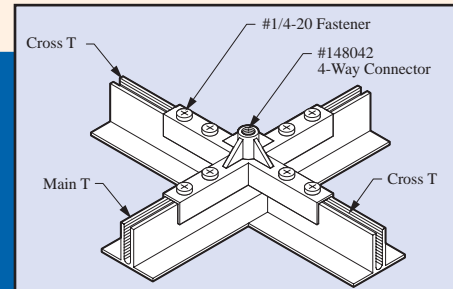
Strong Load Bearing Capacity

Connectors are designed to accommodate standard 2' x 4' openings and other unusual configurations. The zinc castings are designed with an integral 3/8" x 3/4" high threaded tower providing a strong load bearing capability. The tower accepts our 3/8" #148038 Right Hand/Left Hand 8" stud which is connected to a #148039 threaded turnbuckle. A preferred method of suspension from the building structure is all-thread rod attached to the turnbuckles as illustrated.

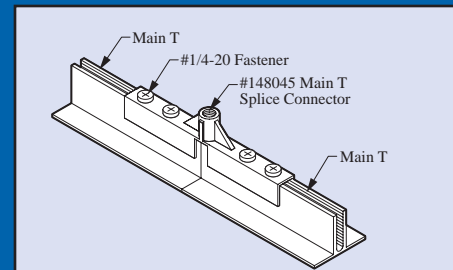
Seismic Zone Applications

Sprinkler Penetration Sleeves, Ionization Emitters and seismic sway control can be incorporated into the system. For applications in seismic zones, the all-thread rod serves as a compression strut and splay wires can be attached to eye bolts secured to the Intersection Connectors.

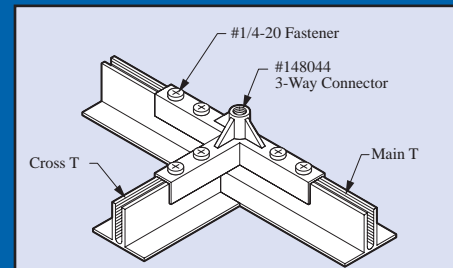
Local seismic codes vary. We recommend consulting with local authorities for clarification.



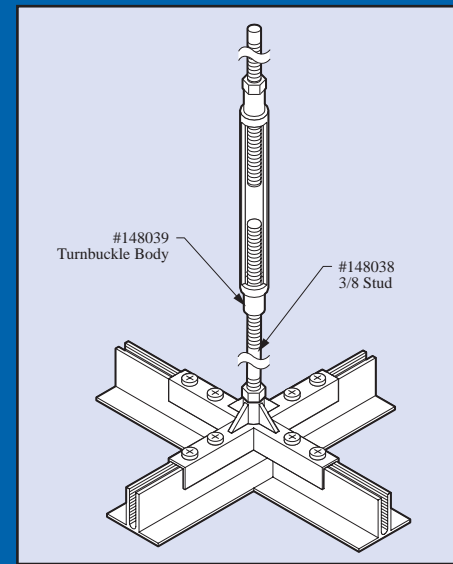
Typical 4-Way Intersection



Typical Splice Connection

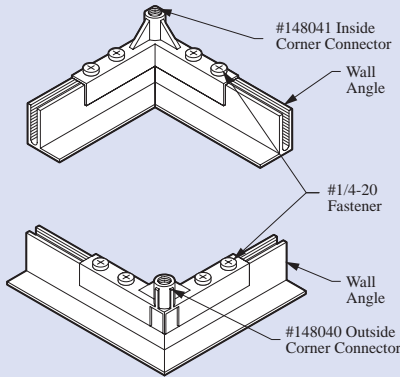


Optional 3-Way Intersection

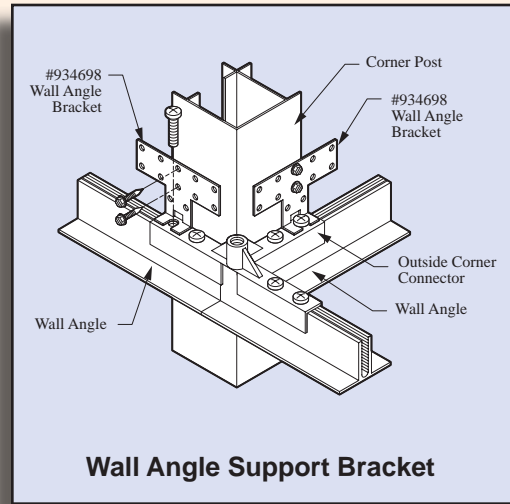


Shown with 3/8-16 Right Hand/Left Hand Threaded Rod and Turnbuckle body

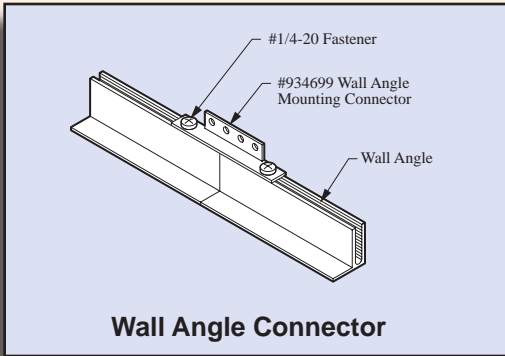
Typical Inside Corner Intersection



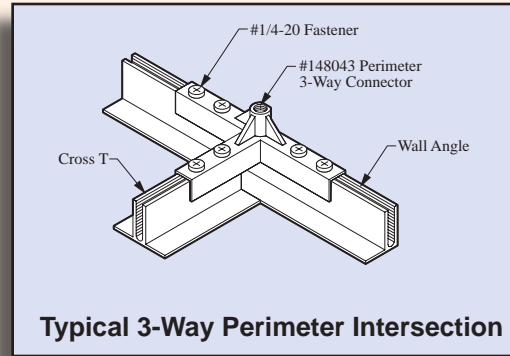
Typical Outside Corner Intersection



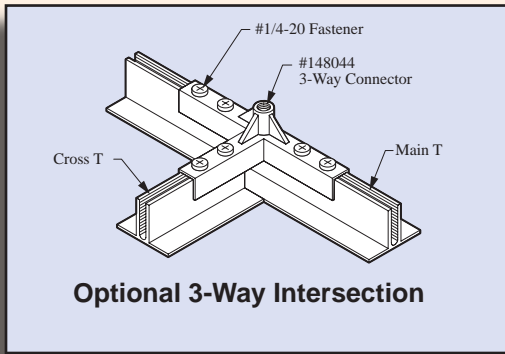
Wall Angle Support Bracket



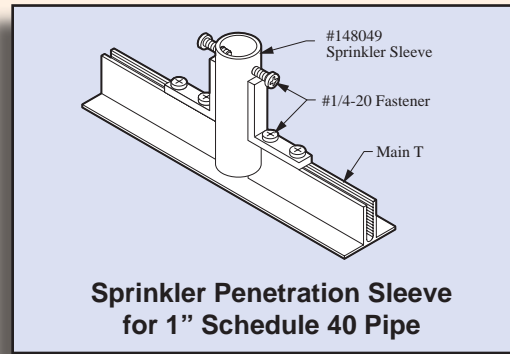
Wall Angle Connector



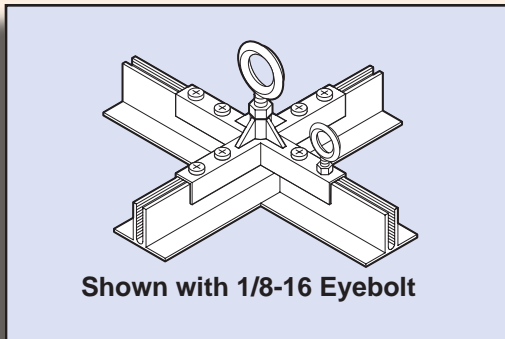
Typical 3-Way Perimeter Intersection



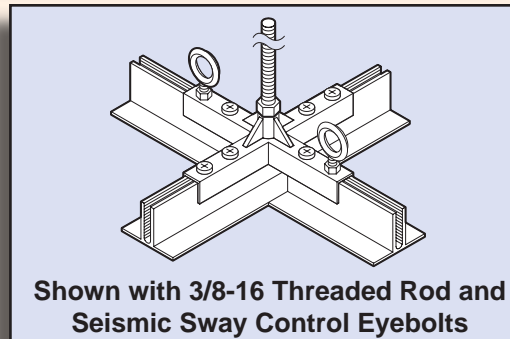
Optional 3-Way Intersection



Sprinkler Penetration Sleeve for 1" Schedule 40 Pipe



Shown with 1/8-16 Eyebolt



Shown with 3/8-16 Threaded Rod and Seismic Sway Control Eyebolts

Suspension Hardware

**Gasket Style
2" Heavy Duty T-Grid**



2" Gasket Seal

**Gasket Style
2" Heavy Duty Slotted T-Grid**

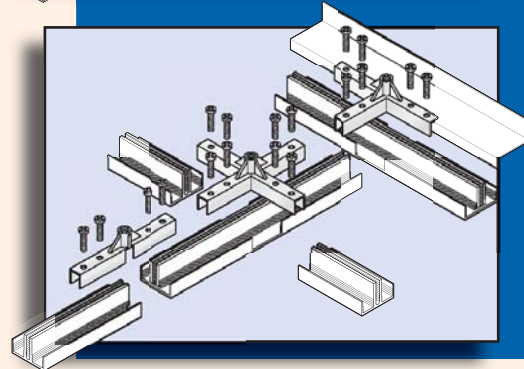
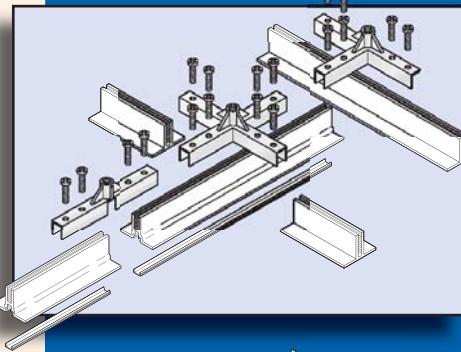
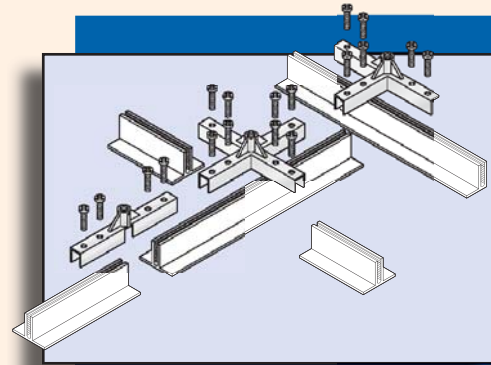


**2" Gasket Seal
(Slotted)**

**Gel Seal Style
2" Heavy Duty T-Grid**



2" Gel Seal



Ordering Information for: Intersection Connector Castings, Screws and Gasketing

Part Number	Description	No. of Screws	Weight	Requirement
148038	8" RH/LH Rod	-	0.20	1 per 16 sq. ft.
148039	Turnbuckle	-	0.40	1 per 16 sq. ft.
148041	Inside Corner Connector	4	0.20	1 per corner
148040	Outside Corner Connector	4	0.20	1 per corner
148043	Perimeter Intersection Connector	6	0.12	1 per main tee or cross tee intersecting at the perimeter
148044	Special 3-Way Connector	6	0.12	
148042	4-Way Intersection Connector	8	0.40	1 per intersection
148045	Main T Splice Connector	4	0.10	1 per main tee
148023	Wall Angle Mounting Brackets	4	0.10	3 per 12' length
148046	Wall Angle Splice Connectors	4	0.12	1 per wall angle
211639	1/4-20 Phillips Pan Hd Screw			
603320	Gasket 3/16 x 3/8 x 50' roll			

NOTE: Same for Gasket and Gel Seal Style T-Bar